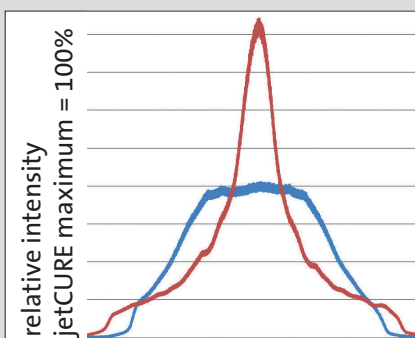


## Inkjet UV High-Performance Dryers

### jetCURE



- Double peak intensity to comparable UV units
- 30 % less temperature to comparable UV units
- Up to 6.000 mW/cm<sup>2</sup> UVA

#### Advantages

- Light and compact UV dryer
- High UV peak intensity
- Temperature-controlled fan
- Quick exchange lamp insert
- User-friendly and low maintenance

# UV high-performance dryers for inkjet printing

## jetCURE

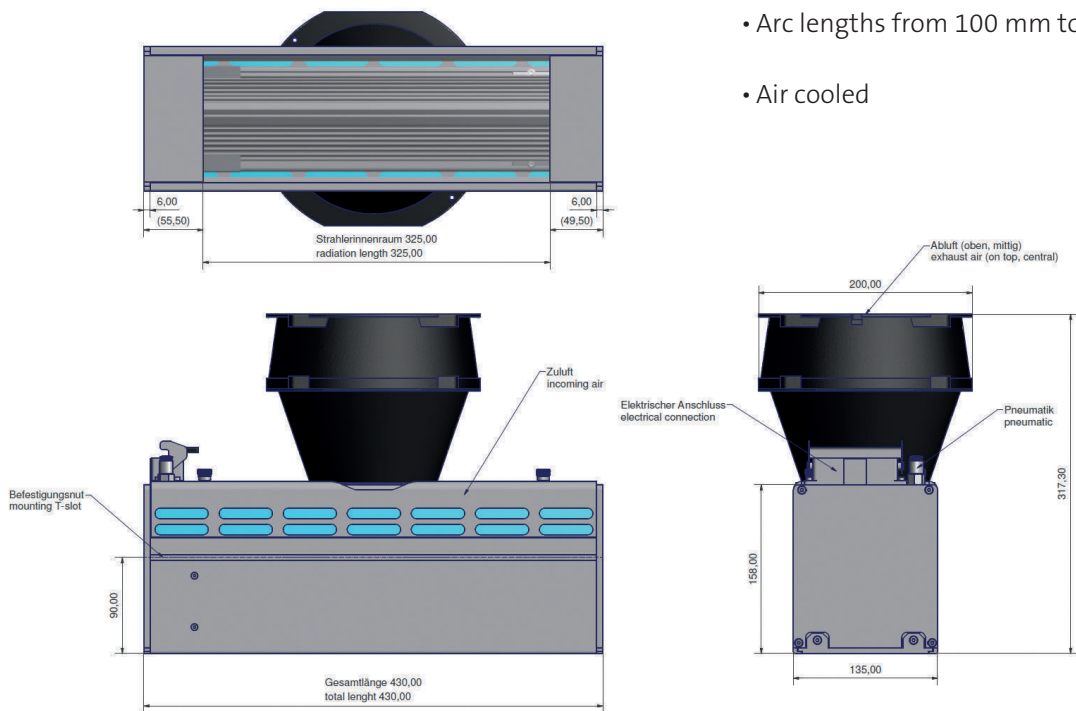
The new **jetCURE** series has been especially developed for wide-format inkjet printing applications. These high-performance UV dryers (up to 240 W/cm) permit excellent curing and enhanced printing quality – even at high printing speeds.

Just as for other printing processes, Höhle offers high end customized UV technology for inkjet printing.

**jetCURE** units are equipped with dichroic reflectors for temperature-sensitive materials and are available with lamp spectra to suit the specific ink. All units can be supplied in the process-related length, are equipped with a shutter-system and can be controlled by electronic power supply.

## Further advantages and system features:

- Light, compact, ideal to mount on a printing slide
- Easy to maintain: quick-exchange lamps to reduce non-operation periods
- Optional: Ozone-free Höhle lamps with standard and special spectra
- Continuous power control between 20 % and 100 %
- Low standby-power
- Integrated or external fan
- Standardly equipped with dichroic reflectors for temperature reduction on the substrate
- Arc lengths from 100 mm to 830 mm
- Air cooled



Example: JetCure 300